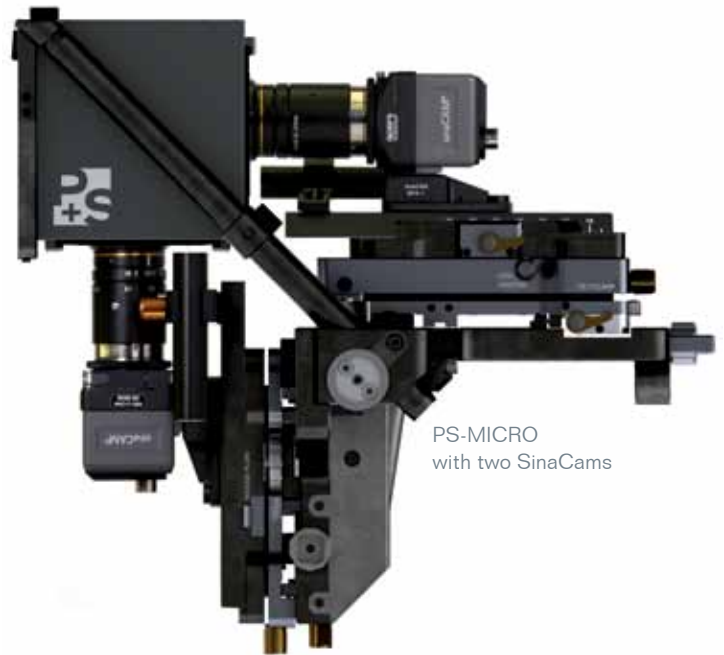


STEREO IN MOTION

FREEDOM FOR CAMERA MOVEMENT

P+S TECHNIK has successfully combined more than 20 years of experience in the industry with in depth knowledge in opto-mechanics in the development of its professional 3D Stereo Rigs. A constantly cultivated close relationship with customers and experienced users allows us to tailor our products to fit the industries needs.

The PS-Micro Rig is the most compact and lightweight beamsplitter mirror stereo 3D Rig. This compact design still includes all features a professional beamsplitter 3D rig needs, enabling a very quick set up.



PS-MICRO
with two SinaCams

KEY FEATURES

- Most lightweight professional beamsplitter rig available
- Most compact professional beamsplitter rig available
- Built-in motorized interaxial of 0-70 mm
- Manual use, simple and safe
- Optimized for handheld, steadycam and small crane
- Shoots parallel or converged
- Compatible to Manfrotto base plates
- Toolfree operation

TARGET APPLICATION

- Fiction
- Live Broadcast
- Commercial
- Documentary



Standard focus whip connector to interaxial adjustment



Convergence wheel with mod 0.8 gear ring for motorization



We stay committed to our motto „Stereo in Motion“. The PS-Micro Rig is ultra-light, small and a highly professional piece of equipment. A complement to the PS-Freestyle, ideal for mobile application. Stereographers will love it!

Florian Schäfer
Product Manager 3D
P+S TECHNIK



SPECIFICATIONS*

Camera	Description	Specification
Cameras	camera compatibility	2 kg / 4.4 lbs per camera setup
	max. payload	2 x 2 kg / 4.4 lbs = 4 kg / 8.8 lbs
Lenses	max. front lens diameter with MIR mirror box	60 mm / 2.3 in
	max. front lens diameter with FSR mirror Box	110 mm
	max. wide angle for 2/3" censored and ~ 7,5mm focal length	68° horiz.
	C-Mount	various
	PS-Primes 16D	all (8 mm - 85 mm focal length)
Stereoscopic Parameters	interaxial adjustment range	0 – 70 mm / 0 – 2.7 in
	convergence adjustment range	+ 3° / -1°
Additional Parameters	roll fine adjustment range	+/- 1,5°
	tilt fine adjustment range	+/- 1,5°
	height fine adjustment range	+/- 2,5 mm / +/- 0.1 in
Motorization	interaxial	integrated Hédèn motor
	convergence	optional
	focus, iris	optional
	zoom	optional
Weight	without front glass and cameras	approx. 4 kg / 16.3 lb

*Subject to change without prior notice

AVAILABLE ACCESSORIES

- Camera plates compatible with the Manfrotto 357 System
- Quarterwave Filter and Protection Glass
- Mounting Accessories:
Shoulder Mount, Extension Plate etc.
- Transport Cases for Rig

COMPATIBLE CAMERAS

SI-2K, Cunima MCU, LMP 1200, SINA-Cam, Videor Modular, Iconix RH1, Micro2 HD, Sony PMW 10MD, IndiePOV, Canon 7D, Toshiba C-Mount cameras and many more...



AVAILABILITY

The new PS-Micro Rig is on delivery from May 2012. Reservations are taken by the P+S TECHNIK sales team and the worldwide reseller network.