

CLIPGEAR FOCUS RINGS

Overview

The P+S Technik Clipgear Focus Rings are designed to equip standard manual photo lenses, in particular Nikon AI and AIS series lenses (all of them have a rubber collar) with a 0.8 modul gear in order to use them with lens motors or follow focus systems.

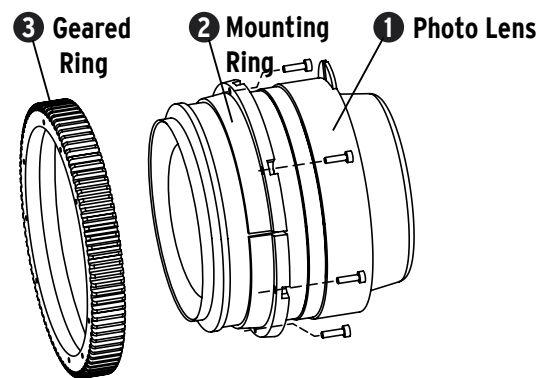


Key Features

- ➔ Use a professional follow focus system with your 35 mm still lenses
- ➔ Standard 0.8 modul gear
- ➔ Easy to mount
- ➔ Leave no marks on the lens when demounted
- ➔ Geared still photography lenses work perfect in combination with the MINI35 Image Converter or SKATER Scope Snorkel Lens System

How to mount

The Clip Gear Focus Rings can be attached to manual focus lenses. Due to different lens diameters and lens designs matching pairs of Mounting Rings (2) and Geared Rings (3) can to be used for various lenses.

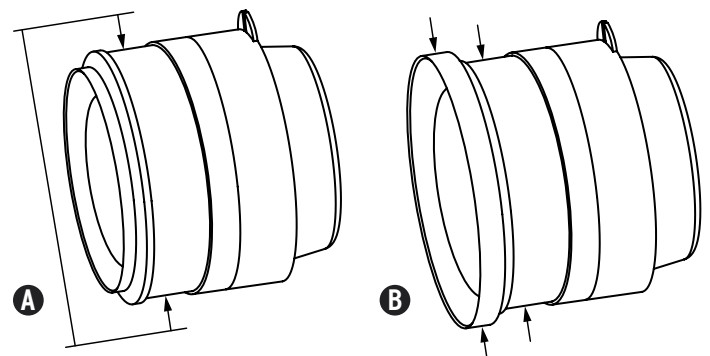


Order Information

In order to choose the appropriate Focus Ring from the list below please follow these steps to measure the diameter of your lens:

- A** Take rubber collar off or slip it to side to measure diameter with calliper.

- B** Some wide angle lenses have a front element (B) which is more than 2 mm wider than the diameter (A). In this case the ring has to be mounted from the camera side of the lens. This requires order of article no. 22309, 22314 or 22522



Article No.	Description	Diameter Range
22157	Focus Ring 1A	59.3 - 59.8 mm
22309	Focus Ring 2B	59.3 - 59.8 mm
22522	Focus Ring 2E	59.9 - 60.3 mm
22314	Focus Ring 2C	61.4 - 61.8 mm
22305	Focus Ring 3D	60.3 - 60.8 mm