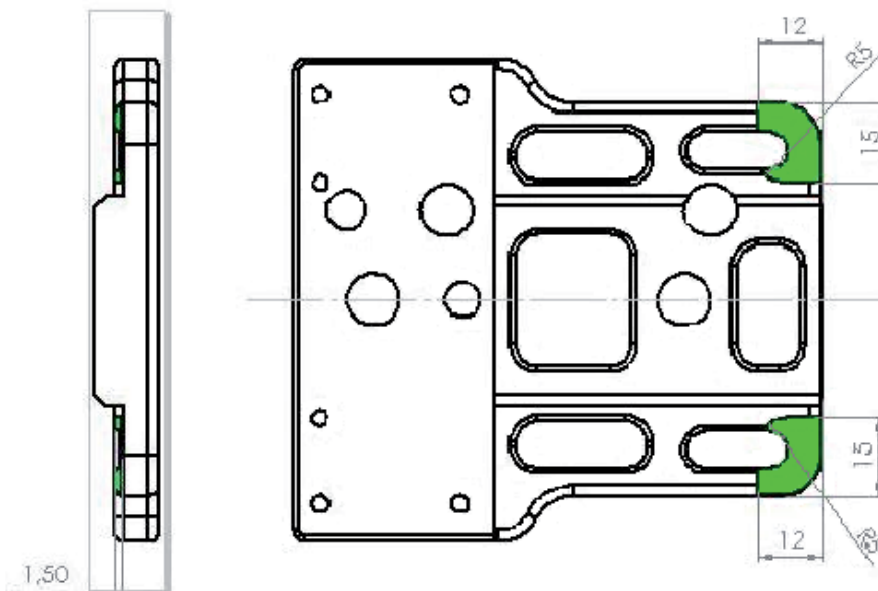


## Mini35: Modification of MINI35 Model 300 for Canon XL2

Due to the different styles of the Canon XL1 and XL2, and also of the Mini35 Model 300 and Model 400 "Oszi", it is necessary to modify the base plate of the Mini35 Model 300 in order to make this work with the Canon XL2.

### There are 2 ways to approach the conversion:

- A) If you have access to a milling machine simply follow the instructions below to modify the base plate as needed. Together with the conversion kit (#20733) this will make the Canon XL2 fit on your Mini35 Model 300. The green marked area needs to be machined.



- B) If you do not have access to a milling machine shop, you could purchase from us the adapter plate Mini300 to Canon XL2 cpl. (for s/n 300 ...), already modified. Together with the conversion kit (#20733) and this adapter plate (#20822) you can adapt the Canon XL2 to the Mini35 Model 300.

### A new "Easy Rig Handle" (#19215) should now be used on the MINI35 Model 300.

The old Handle will interfere with the new Canon XL2 finder.

\* Please note: the Mini35 Model 200 (s/n 200 ...) will not fit with the XL2.

If you do have any further questions, please feel free to contact P+S Technik or your local dealer.