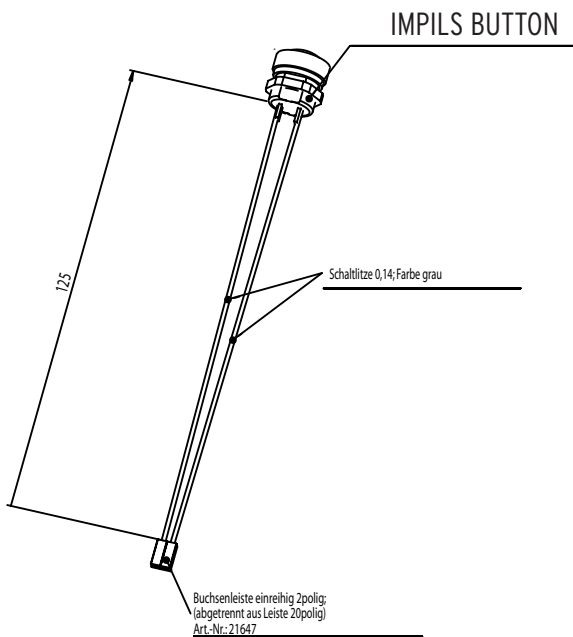


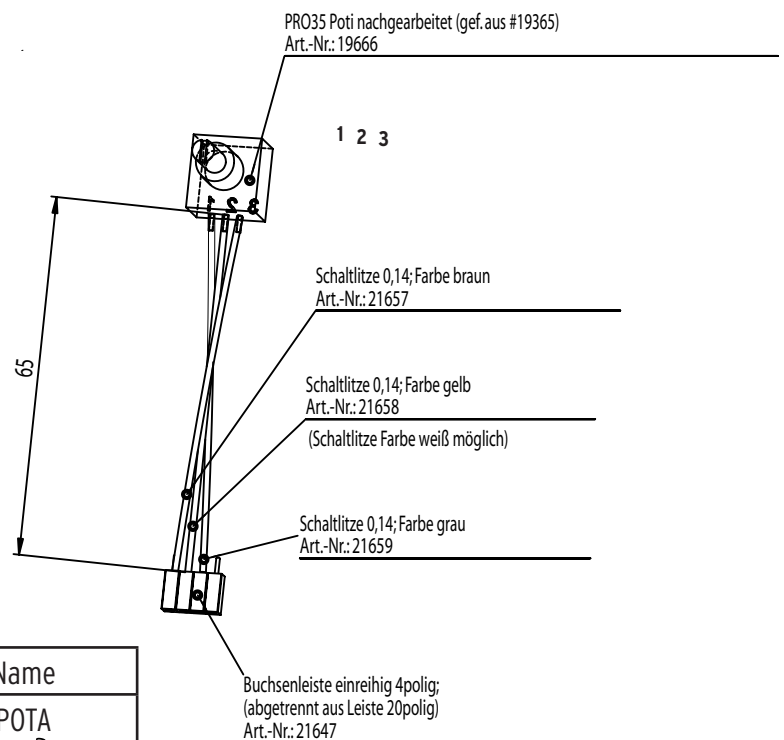
PRO35 : CONNECTION & PLUG ARRANGEMENT

1. ON / OFF - BUTTON



Pin	Length	Name
1	125mm	pin assignment does not matter
2	125mm	

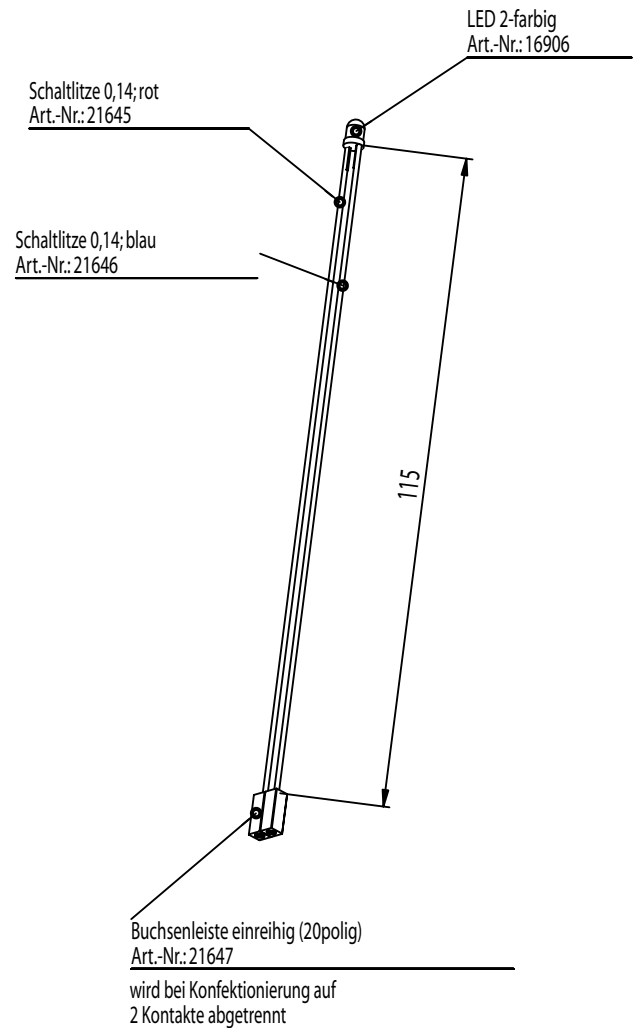
2. POTI



Pin	Length	Name
1	65 mm	POTA
2	65 mm	POTS
3	65 mm	POTE

3. LED

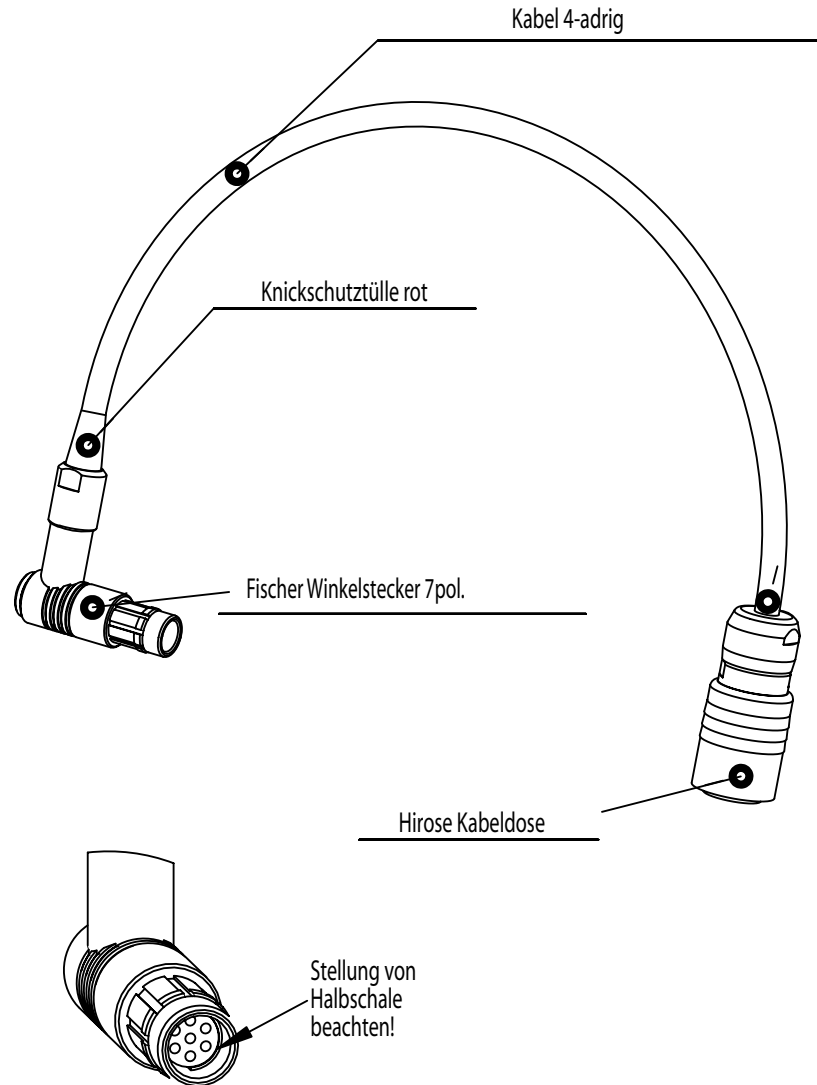
Pin	Length	Name
1	115mm	LED green
2	115mm	LED red



4. CONNECTOR MODUL

Pin	Length	Name
1	5cm	-UBAT
2	5cm	+UBAT
3	5cm	VTR

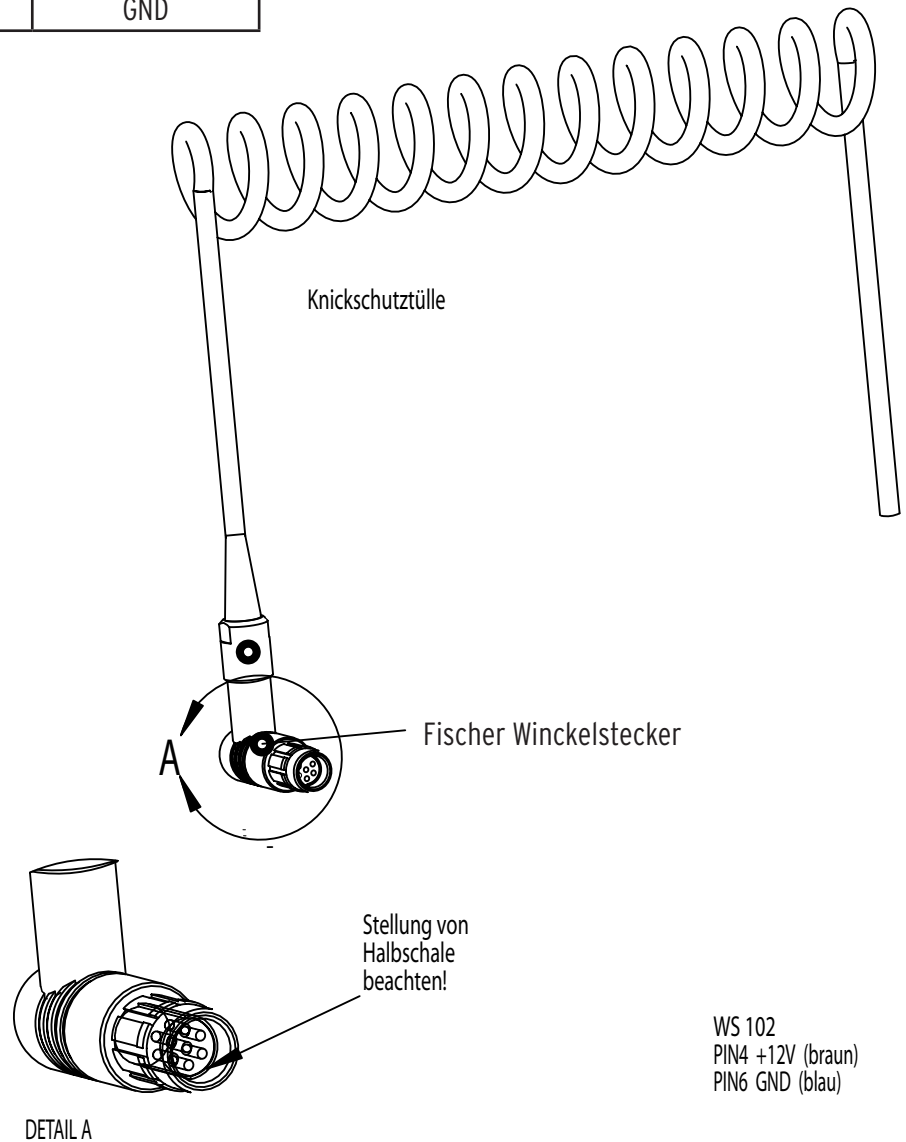
5. CAMERA CABLE



Fischer Pin	Color	Length	Name	Hirose Pin
7	green	30cm	RET	1
2	white	30cm	VTR	2
6	brown	30cm	-UBAT	3
3	orange (yellow)	30m	+UBAT	6

6. POWER CABLE for POWER SUPPLY EXT. BATTERY (only by P+S Technik)

Fischer Pin	Name	
4	+UBAT ex	+ 12V
6	-UBAT	GND



WS 102
PIN4 +12V (braun)
PIN6 GND (blau)